

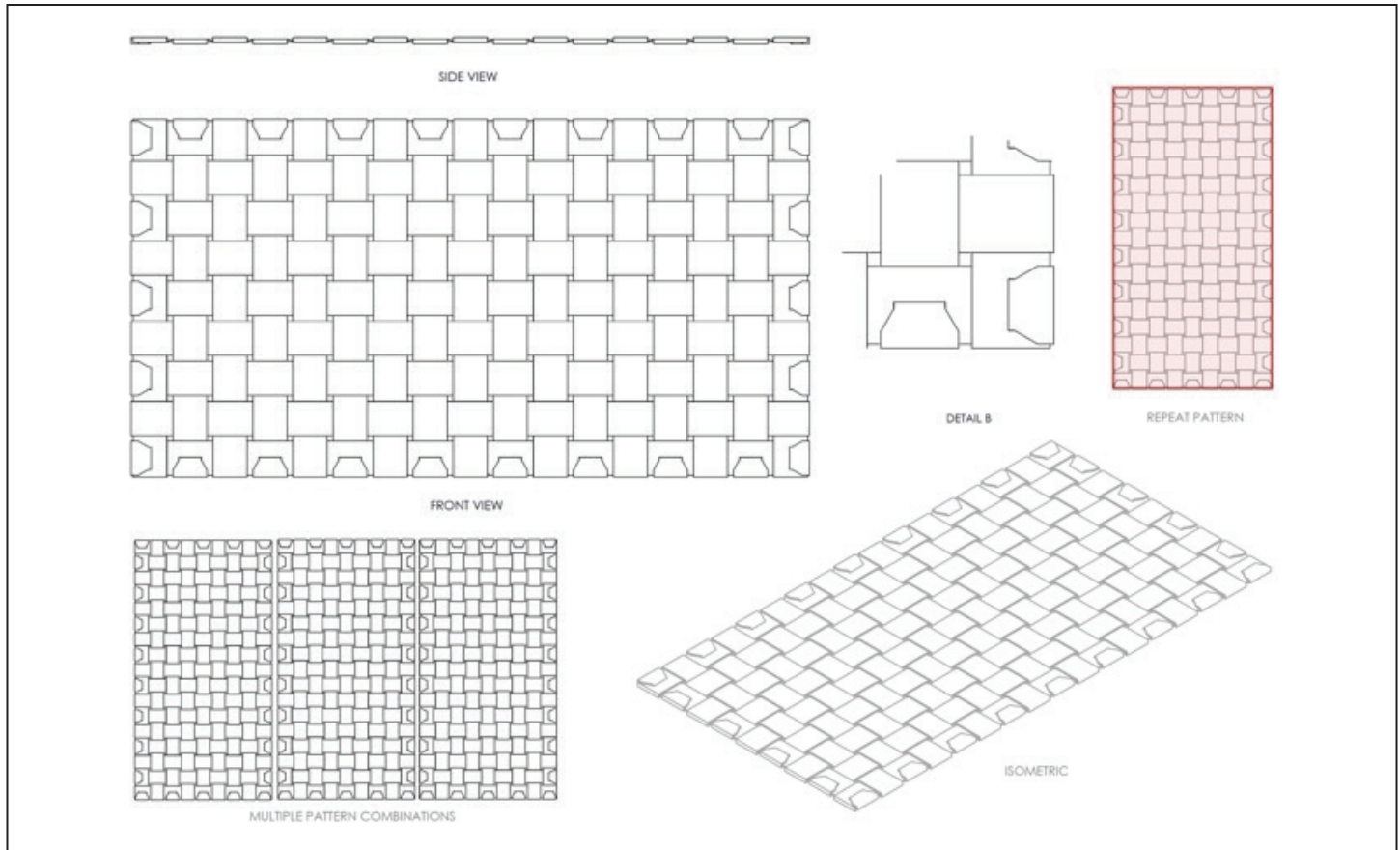
Basket Acoustical Panel

Installation and Maintenance Guidelines

GATHER[®]
ACOUSTICAL

Dimensional: Woven

Installation for GATHER Acoustical panels is to be provided by a professional with extensive experience installing wallcovering, wall and ceiling-hung panels, and other Division 10 Specialty items.



BEFORE PLACING THE ORDER

The installer should review the site measurements and existing conditions—not just the architectural drawings—and determine the wall configuration, installation sequence, number of panels required, and necessary overage.

ONSITE PREPARATION AND PANEL INSPECTION

- GATHER Acoustical panels should be acclimated in the installation area for at least 48-72 hours prior to and after installing, at 60–80° F, with relative humidity at 50% or less. Verify that active moisture infiltration, condensation, and/or accumulation—particularly in warm, humid climates—is not present. If walls show mold, mildew, or visible moisture damage, or if moisture content exceeds recommendations, do not proceed with installation until the condition has been fully corrected under the direction of a qualified professional. *Wolf-Gordon will not be responsible for any performance or quality issues if moisture problems are not addressed before or following installation.*
- Examine each individual panel carefully to ensure that the material, pattern design, color, and quality are satisfactory and as ordered. Check that the quantity and dimensions match the required specifications, prior to cutting. Lay out the panels in the space to ensure color, texture, and pattern consistency. *In the event any discrepancies are found, STOP and contact Wolf-Gordon customer service at 800-347-0550, before proceeding.*

- **Wall size, panel size, and desired layout should be considered during wall configuration** to determine the installation sequence and whether to start with a panel at the center line or start directionally from the corner.
- **A staging area is recommended for checking the layout.** Lay out the panels in the space before cutting or making adjustments to ensure pattern matching, pattern direction, and alignment are according to product information. Refer to panel drawings for direction.
- After being laid out individually for inspection, **product defects and damage from transit must be reported within 24 hours.**

SURFACE PREPARATION

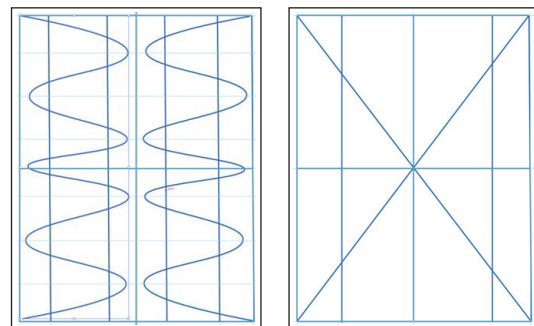
- **Inspect existing wall surfaces** to ensure they are clean, dry, structurally sound, and free of dirt, grease, and markings. If an oil-based primer was used, apply an acrylic or latex primer over it before hanging the panels to avoid trapping moisture or adhesion problems. If the surface does not have a uniform color, use a pigmented primer.
- Existing walls present varied conditions, but **all walls should be finished to at least a Level 4** (preferably, Level 5) finish. Glossy surfaces should be sanded and mildew should be cleaned from the surface with a solution of two cups of household bleach per gallon of water.
- **Check walls for conditions and obstructions** where panels may have to be cut, trimmed, or adjusted.

GENERAL INSTALLATION GUIDELINES

- **Check the panel layout** to ensure proper placement and pattern match.
- With confirmed wall configuration, **plumb lines should be established before final installation.**
- **Panels should be hung according to the final wall configuration.**

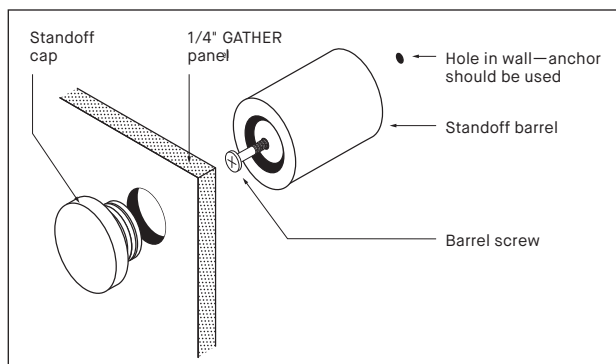
DIRECT-TO-WALL INSTALLATION

- Once panels have been checked, **apply a direct adhesive** (recommended: Liquid Nails® LN710 or LN2000, Loctite®, or DAP® products) to the **BACK SIDE of each panel.** DO NOT USE solvent-based adhesives. Take care to prevent the adhesive from getting on the panel face.
- **Apply direct adhesive in either a zig-zag or diagonal pattern** across the back of the panel (see illustrations above). A bead of adhesive should be approximately 1/4" and be no closer than approx. 2" from the panel perimeter, to prevent spillage. Panels should be installed within 15–20 min of adhesive application.
- After adhesive application, **panels should be applied to the wall with even and consistent pressure** to ensure proper adhesion.



STANDOFF INSTALLATION

- To hang *Basket* panels away from a wall, we recommend using our stainless steel standoffs. Standoffs are available in 1", 1-3/4", and 2-1/2" lengths.
- For a standard 4' x 10' panel, six standoffs are recommended. For a 4' x 4' panel, use four standoffs.
- Standoffs should be set no closer than 2–3" from the top, bottom, and side edges of a panel.
- Before positioning wall anchors to attach the standoff barrels, set a horizontal layout line with a laser level. Anchors should be appropriate for the wall composition (e.g., concrete, gypsum board, plywood, etc.).
- Screw standoff caps by hand and do not overtighten.



CARE AND MAINTENANCE

GATHER Acoustical panels are composed of recycled polyester, a hydrophobic thermoplastic whose composition makes it naturally stain and water-resistant, allowing for time for spills to be blotted with a damp cloth. Spills should be addressed quickly and with care.

- All cleaning attempts should be done on an inconspicuous portion of a panel first, before being applied to stained or soiled areas.
- **Using stringent or solvent-based cleaning agents can potentially damage the finish and colorfastness.**
- First-step cleaning should be with a lint roller or dry brush using light consistent strokes on the affected area.
- Lightly blot stains and spills with a slightly damp towel using a press-and-release action
- If a cleaning agent must be used for mild stains, an enzyme-based cleaning agent is recommended, using a 3:1 water-to-cleaning agent ratio. Blot the area with a clean cloth or paper towel until dry. Then go over the area lightly with a dry brush.
- For emergency cleaning, blot the area with a cloth lightly dampened with a solvent-based solution, dry cleaning solution, or chemical spot removal. After blotting the affected area, blot with a clean cloth until the area is dry.

Note: The information above is intended only as a guideline. The installer has the final responsibility for proper installation and evaluation of jobsite conditions.